

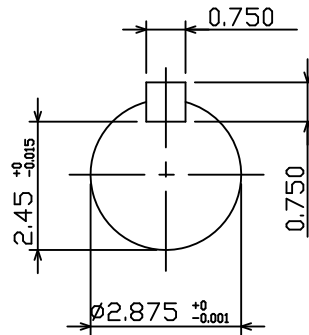
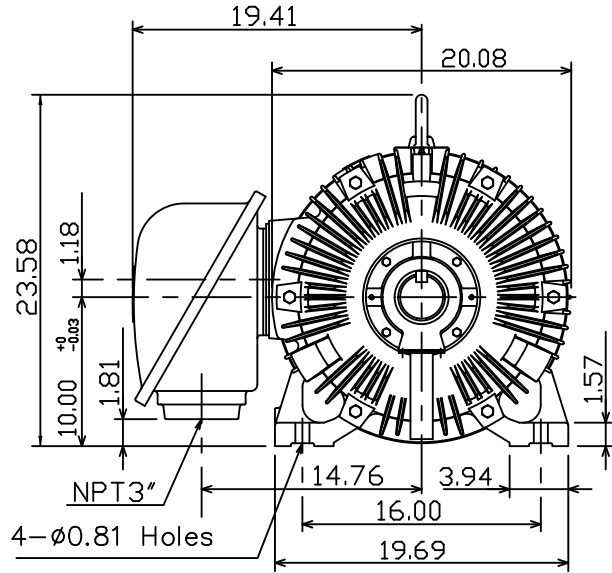
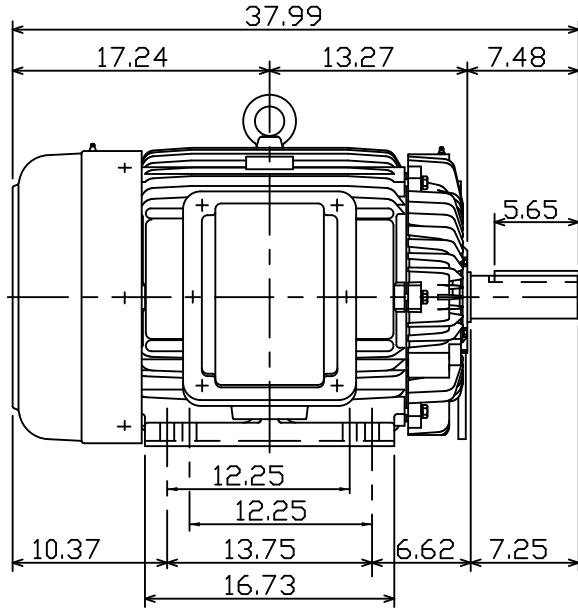
DATE:
January 26, 2018
CATALOG NO.
CDP0608

OUTLINE DIMENSIONS
3-PHASE INDUCTION MOTOR

MOTOR TYPE:
AEHHGD
FRAME NO. 405T

Pole	HP	kW	Hz	VOLT	r/min
8	60	44.8	60	230/460	900
Ins	Rating	Dimension in	Approx Weight	Bearings	
F	CONT.	inches	1243 LBS.	DE: 6317	NDE: 6313

Totally Enclosed Fan Cooled Type.Squirrel-cage Rotor.



NOTE:

1. ENCLOSURE: IP55
2. SHAFT MATERIAL: SCM440 Q&T (AISI 4140 EQUIV)
3. WITH THERMISTOR: PTC 140°C × 3PCS
WIRED IN MAIN TERMINAL BOX



DWG.	C.C00K	02-01-18
------	--------	----------

TEC Westinghouse

DWG NO.
31057H258510